



TC 100 Telescopic Cranes

Model Description

While the TC100 is the smallest of the BIGMAX TC series cranes, all functions including slewing, lifting and extension, are operated by a proportional control valve. There is a fourth control function for options such as hydraulic outriggers or winches. An outstanding feature of the TC100 is its compact design. It stows completely in just over 2 square feet of deck

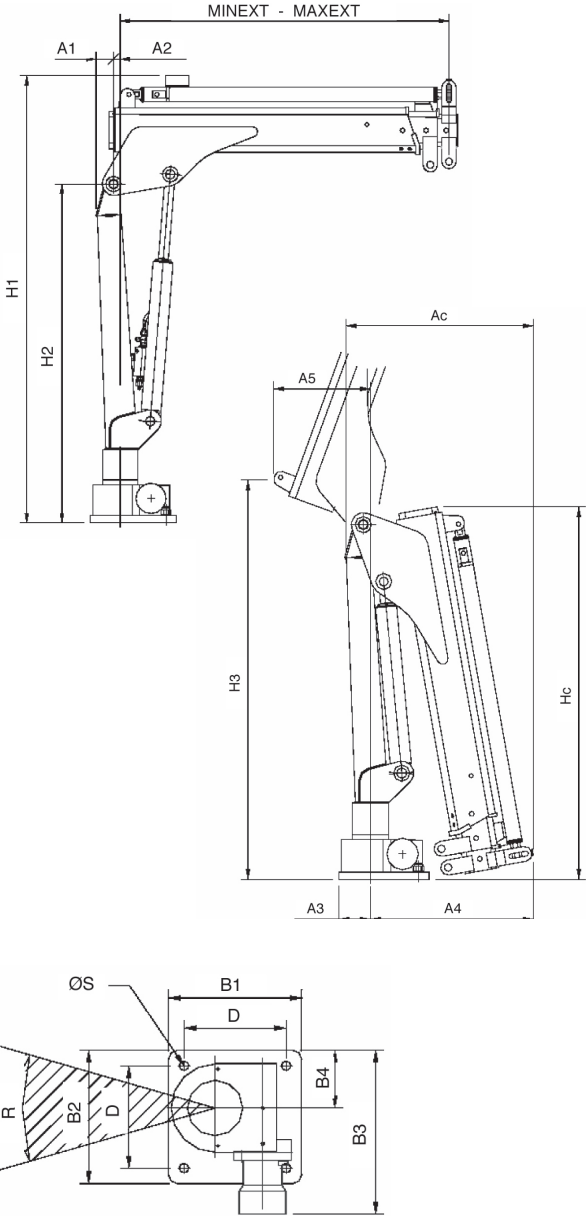
area. The boom, which extends to 9.2 ft from the centerline of rotation, retracts to only 3.9 ft making it possible to mount the crane in the doorway of a van and swing a load thru the doorway. The TC100 will also lift, with the boom horizontal, in an overhead space of only 5.5 feet above the deck surface.

Technical Data

	TC100
Max dynamic moment - daNm - ft lb	1135 8370
Std crane weight (crane + installation kit + oil tank or power pack. Weight does not include stabilizers.)	.1 145
	.2 319
	.3 165
	.4 363
Max capacity - kg - lb	.1 860
	.2 1890
	.3 800
	.4 1760
Max oil flow to control valve - l/min - gal/min	5.0
	1.3
Max working pressure - bar - psi	180
	2610
Max slewing moment - daNm - ft lb	170
	1250
Slewing angle - °	350°
Oil tank capacity - l - gal	17.5
	4.6
Power needed by the pump - kW - HP	1.5
	2.0
	2.0
Design standards	DIN 15018/EN 12999

Dimensions

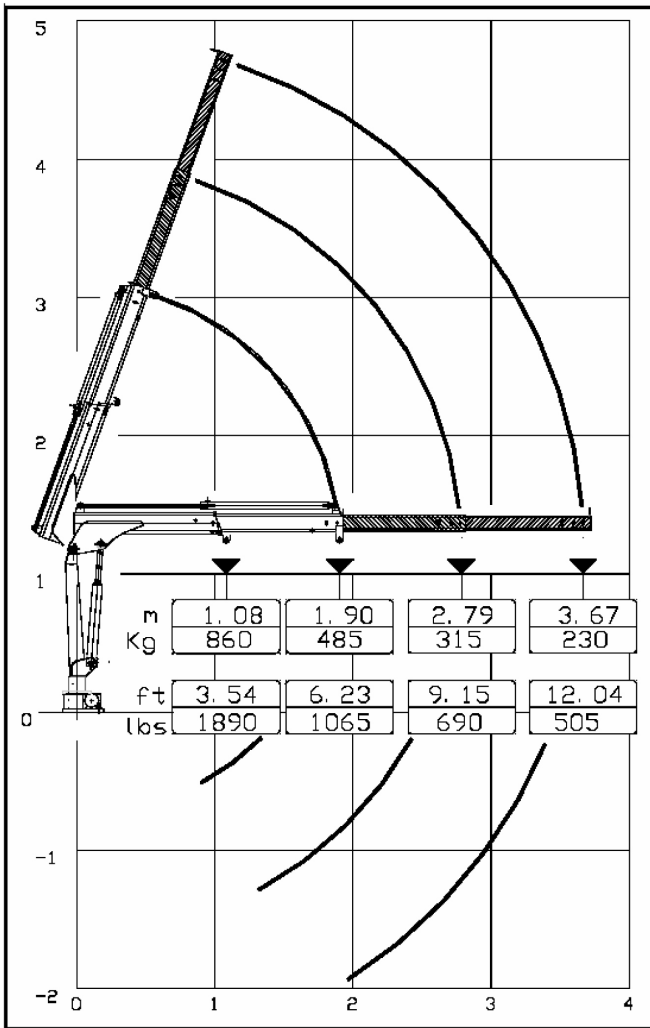
mm inches version	TC 100	
	.1	.2
MINEXT	1080 3' 7"	1148 3' 9"
MAXEXT	1900 6' 3"	2788 9' 2"
A1	61 2.4"	61 2.4"
A2	24 0.94"	24 0.94"
A3	105 4.2"	105 4.2"
A4	490 19.3"	542 21.4"
A5	322 12.7"	322 12.7"
Ac	572 22.5"	624 24.6"
B1	300 11.8"	300 11.8"
B2	300 11.8"	300 11.8"
B3	370 14.6"	370 14.6"
B4	130 5.1"	130 5.1"
D	230 9.1"	230 9.1"
H1	1560 61.4"	1560 61.4"
H2	1180 46.5"	1180 46.5"
H3	1328 52.3"	1328 52.3"
Hc	1240 48.8"	1240 48.8"
R	32°	32°
ØS	21 0.83"	21 0.83"



TC 100 Telescopic Cranes | p2

Load Diagrams

TC 100.1



TC 100.2

