



TC 160 Telescopic Cranes

Model Description

For its compact size and light weight, the BIGMAX TC-160 is a versatile crane with an outstanding lift capacity. With a static weight of only 385 lbs the TC-160 can lift up 2,850 lbs. @ 3.7 ft from the rotation centerline. One of the main reasons for this extraordinary lift to weight ratio is the TC-160 boom which is fabricated from high tensile fine grained steel with a hexagonal

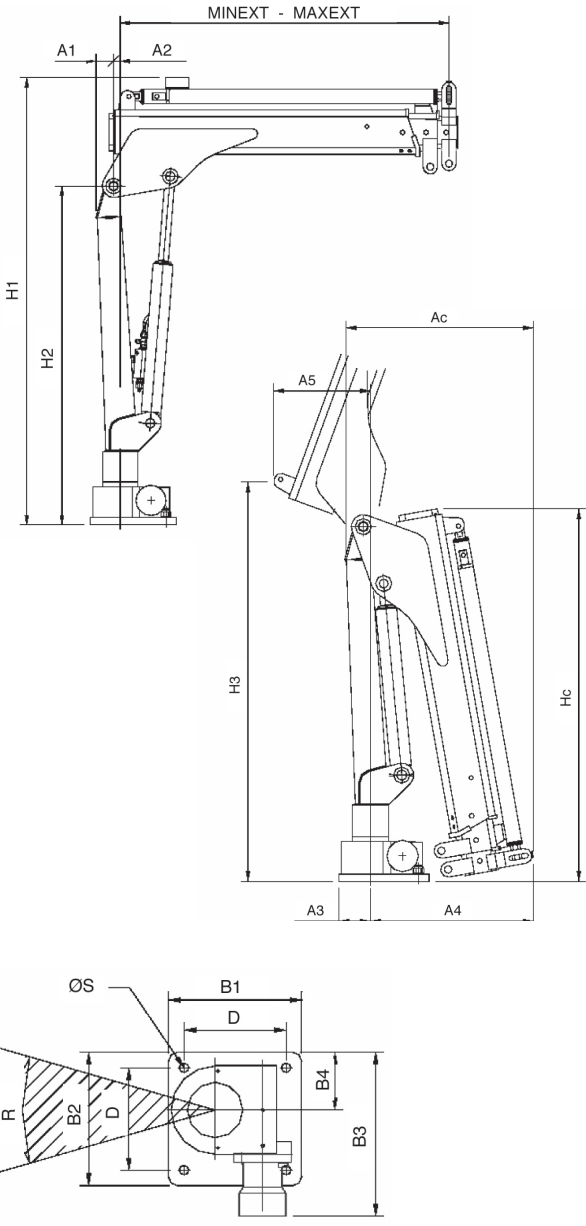
cross-section to maximize strength and minimize weight. The mounting base of the crane which takes up less than 1 sq ft of mounting space, can be placed almost anywhere on the body where it is the most convenient. The control assembly which is supplied connected but not mounted is designed to be installed in the safest and most convenient location near the crane base.

Technical Data

		TC160
Max dynamic moment		1660
- daNm		12240
- ft lb		
Std crane weight (crane + installation kit + oil tank or power pack. Weight does not include stabilizers.)	.1	175
		385
	.2	200
		440
- kg	.3	-
	.4	-
Max capacity	.1	1315
		2895
	.2	1230
		2705
- kg	.3	-
	.4	-
Max oil flow to control valve		6.0
- l/min		1.6
- gal/min		
Max working pressure		175
- bar		2540
- psi		
Max slewing moment		350
- daNm		2580
- ft lb		
Slewing angle		350°
- °		
Oil tank capacity		17.5
- l		4.6
- gal		
Power needed by the pump		2.0
- kW		2.7
- HP		
Design standards		DIN 15018/EN 12999

Dimensions

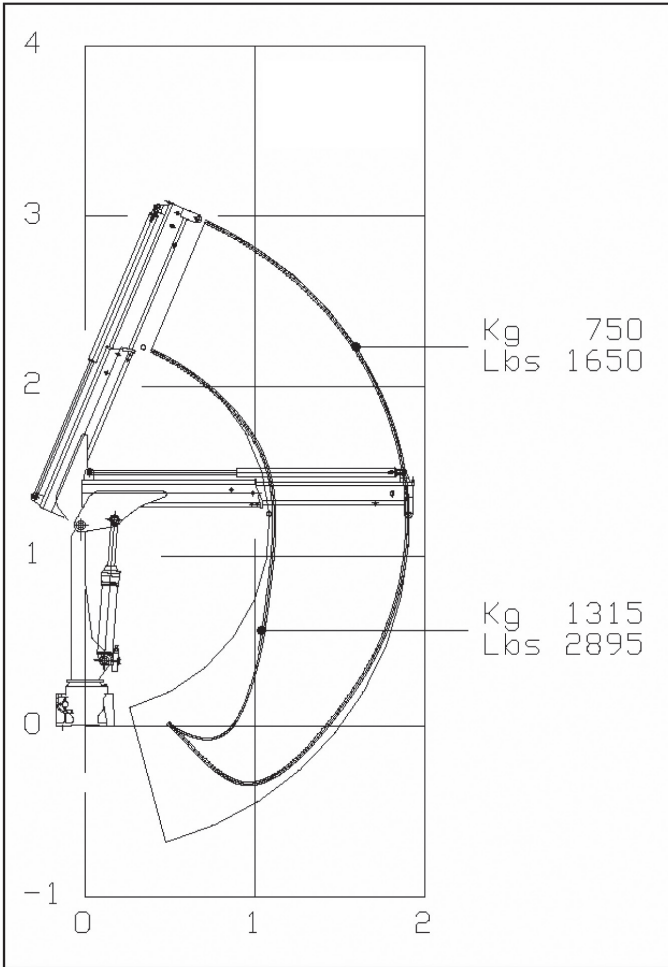
mm inches	TC 160	
	.1	.2
version		
MINEXT	1083 3' 7"	1148 3' 9"
MAXEXT	1903 6' 3"	2788 9' 2"
A1	58 2.3"	58 2.3"
A2	24 0.94"	24 0.94"
A3	170 6.7"	170 6.7"
A4	491 19.3"	542 21.4"
A5	267 10.5"	267 10.5"
Ac	573 22.5"	624 24.6"
B1	310 12.2"	310 12.2"
B2	300 11.8"	300 11.8"
B3	450 17.7"	450 17.7"
B4	150 5.9"	150 5.9"
D	230 9.1"	230 9.1"
H1	1518 59.8"	1518 59.8"
H2	1182 46.5"	1182 46.5"
H3	1289 50.7"	1289 50.7"
Hc	1241 48.8"	1241 48.8"
R	25°	25°
ØS	21 0.83"	21 0.83"



TC 160 Telescopic Cranes | p2

Load Diagrams

TC 160.1



TC 160.2

