



# TC 200 Telescopic Cranes

## Model Description

The BIGMAX TC-200 crane with 3 hydraulic extensions and a heavy duty enclosed oil-bath rotation system is designed for 15 years of normal use to ensure maximum reliability. Following the design of any new BIGMAX crane, several actual cranes are manufactured for testing purposes. Before going into production, each model is test run, non-stop (24/7) for the equivalent of 15

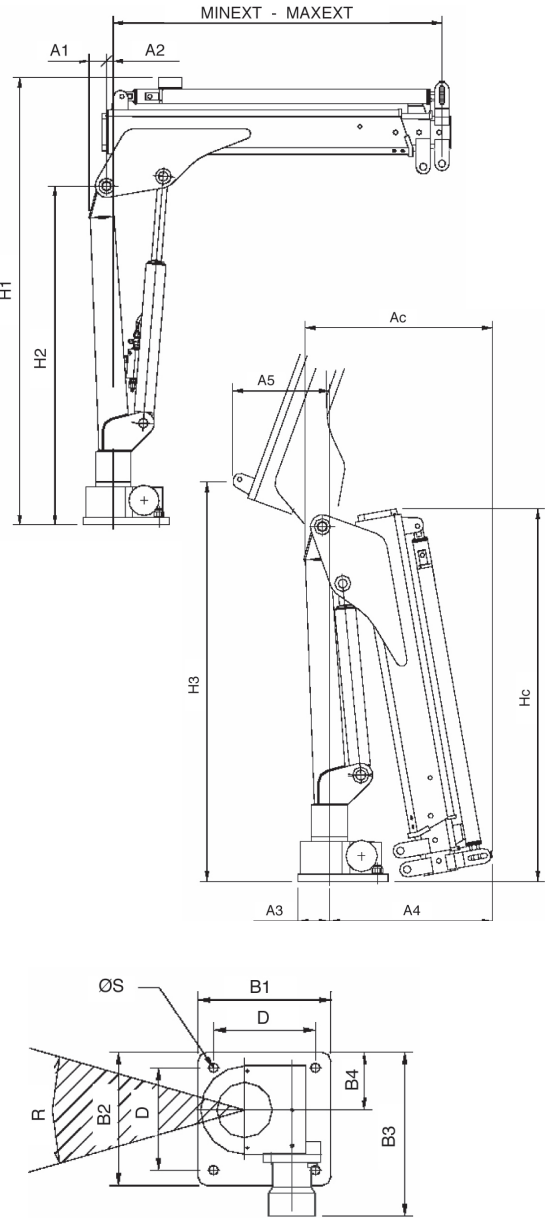
years under normal operating conditions. If a component fails during this testing period, it is redesigned and the test restarts again. This process is repeated until the 15 year equivalent test cycle is complete without failure, and only then does the crane go into production. Confident that the new BIGMAX crane is reliable, each crane is delivered with a 2 year limited warranty.

## Technical Data

		TC200
Max dynamic moment - daNm - ft lb		2405 17730
Std crane weight (crane + installation kit + oil tank or power pack. Weight does not include stabilizers.)	.1	216
	.2	475
	.3	243
	.4	535
Max capacity	.1	265
	.2	583
	.3	-
	.4	-
Max oil flow to control valve - l/min - gal/min	.1	1590
	.2	3500
	.3	1485
	.4	3255
Max working pressure - bar - psi	.1	1270
	.2	2795
	.3	8.0
	.4	2.1
Max slewing moment - daNm - ft lb		160
		2320
Slewing angle - °		350
		2580
Oil tank capacity - l - gal		17.5
		4.6
Power needed by the pump - kW - HP		2.1
		2.9
Design standards		DIN 15018/EN 12999

## Dimensions

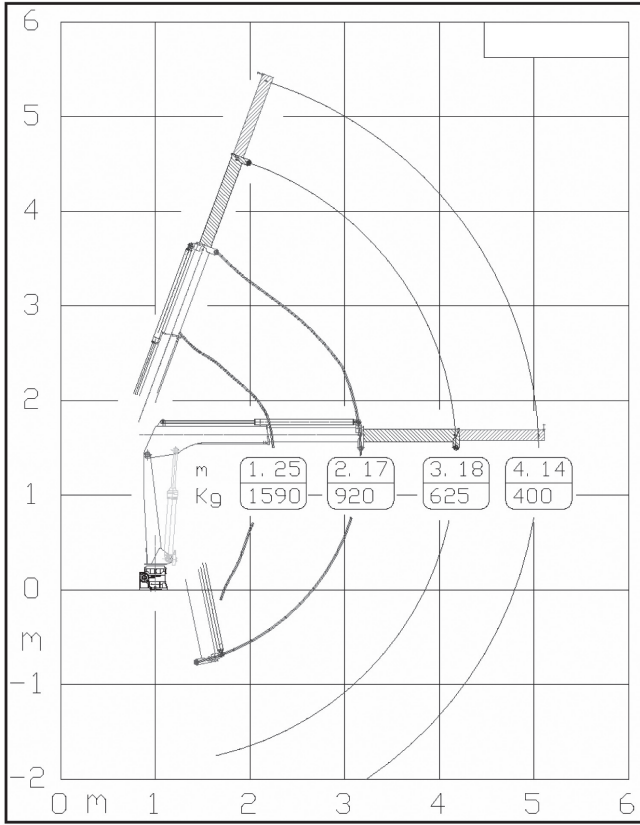
mm inches	TC 200			
	version	.1	.2	.3
MINEXT		1245 4' 1"	1327 4' 4"	1398 4' 7"
	MAXEXT	2170 7' 1"	3177 10' 5"	4173 13' 8"
A1		40 1.6"	40 1.6"	40 1.6"
A2		84 3.3"	84 3.3"	84 3.3"
A3		135 5.3"	135 5.3"	135 5.3"
A4		565 22.2"	580 22.9"	738 29.1"
A5		330 13"	330 13"	330 13"
Ac		688 27.1"	700 27.6"	860 33.9"
B1		310 12.2"	310 12.2"	310 12.2"
B2		300 11.8"	300 11.8"	300 11.8"
B3		450 17.7"	450 17.7"	450 17.7"
B4		150 5.9"	150 5.9"	150 5.9"
D		230 9.1"	230 9.1"	230 9.1"
H1		1840 72.4"	1840 72.4"	1840 72.4"
H2		1434 56.5"	1434 56.5"	1434 56.5"
H3		1615 63.6"	1615 63.6"	1615 63.6"
Hc		1485 58.5"	1485 58.5"	1485 58.5"
R		25°	25°	25°
ØS		21 0.83"	21 0.83"	21 0.83"



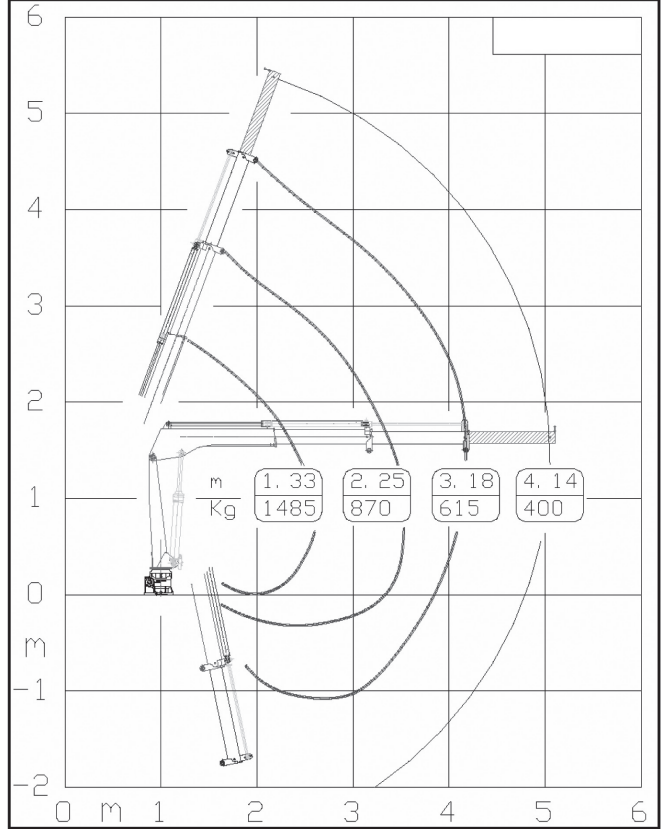
# TC 200 Telescopic Cranes | p2

## Load Diagrams

**TC 200.1**



**TC 200.2**



**TC 200.3**

