



TC 260 Telescopic Cranes

Model Description

Like all TC series cranes, the TC-260 crane can be operated by oil flow from a central, usually PTO driven, hydraulic system. For applications where there is no available oil flow or PTO, or, for more intermittent applications, BIGMAX DC Electric power packs are the preferred option. Available in both 12 and 24 volt, DC power packs include a hydraulic pump and are

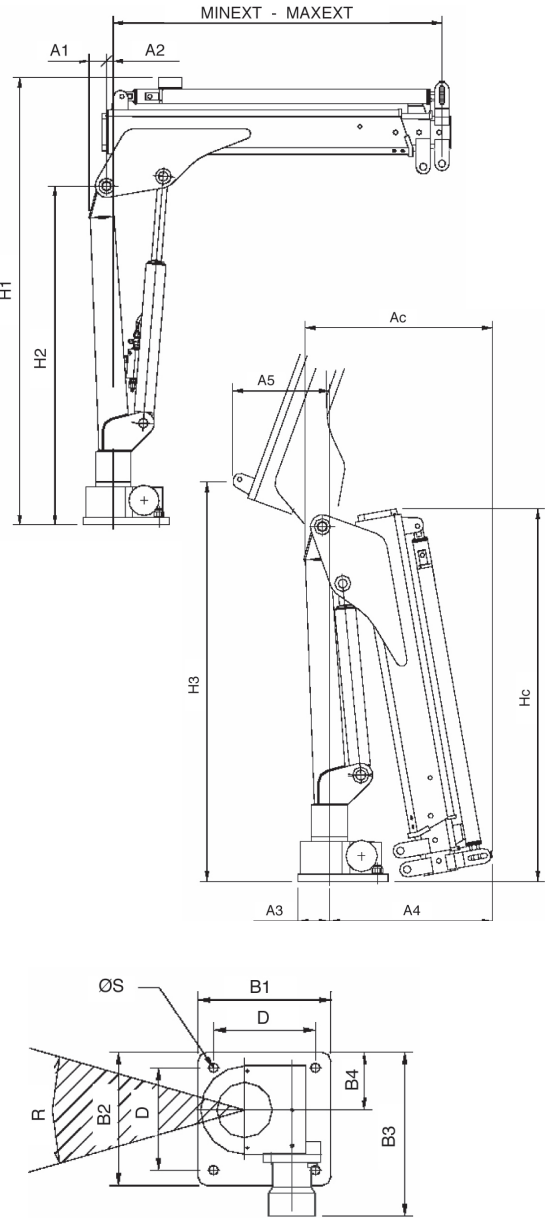
an economical alternative. For safety, ease of installation and operating convenience, an in-cab power switch is included with each DC operated crane. To ensure safe operation, the power switch must be engaged before the crane can be operated.

Technical Data

		TC260
Max dynamic moment - daNm - ft lb		2830 20870
Std crane weight (crane + installation kit + oil tank or power pack. Weight does not include stabilizers.) - kg - lb	.1	217
	.2	477
	.3	252 554
	.4	273 601
Max capacity - kg - lb	.1	1865 4100
	.2	1750 3850
	.3	1565 3440
	.4	-
Max oil flow to control valve - l/min - gal/min		8.0 2.1
Max working pressure - bar - psi		175 2540
Max slewing moment - daNm - ft lb		400 2950
Slewing angle - °		350°
Oil tank capacity - l - gal		17.5 4.6
Power needed by the pump - kW - HP		2.3 3.1
Design standards		DIN 15018/EN 12999

Dimensions

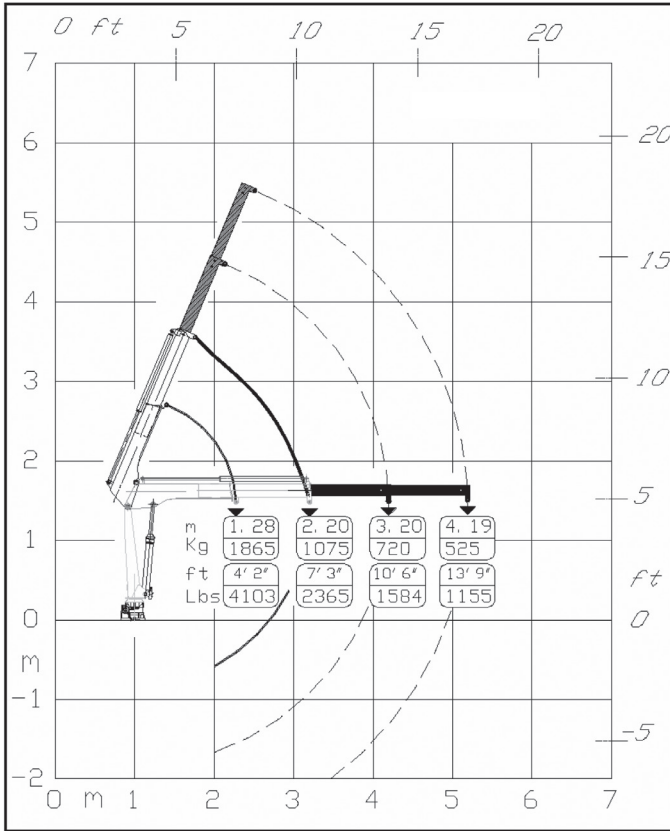
mm inches	TC 260			
	version	.1	.2	.3
MINEXT		1275 4' 2"	1345 4' 5"	1415 4' 8"
	MAXEXT	2264 7' 3"	3259 10' 6"	4190 13' 9"
A1		40 1.6"	40 1.6"	40 1.6"
A2		84 3.3"	84 3.3"	84 3.3"
A3		130 5.2"	130 5.2"	130 5.2"
A4		780 30.7"	850 33.5"	850 33.5"
A5		350 13.8"	350 13.8"	350 13.8"
Ac		930 36.6"	1000 39.4"	1000 39.4"
B1		310 12.2"	310 12.2"	310 12.2"
B2		300 11.8"	300 11.8"	300 11.8"
B3		450 17.7"	450 17.7"	450 17.7"
B4		150 5.9"	150 5.9"	150 5.9"
D		230 9.1"	230 9.1"	230 9.1"
H1		1840 72.4"	1840 72.4"	1840 72.4"
H2		1434 56.5"	1434 56.5"	1434 56.5"
H3		1615 63.6"	1615 63.6"	1615 63.6"
Hc		1485 58.5"	1485 58.5"	1485 58.5"
R		25°	25°	25°
ØS		21 0.83"	21 0.83"	21 0.83"



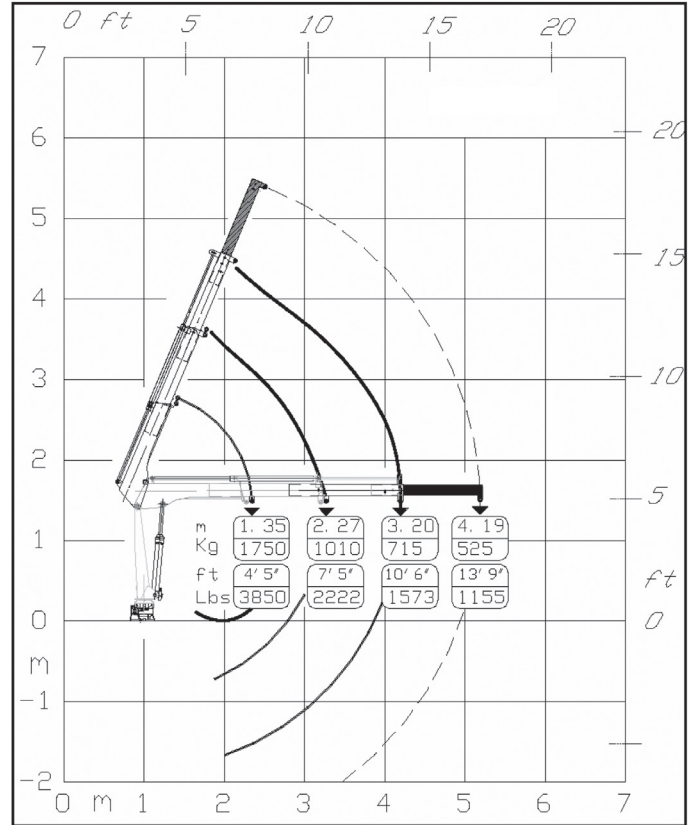
TC 260 Telescopic Cranes | p2

Load Diagrams

TC 260.1



TC 260.2



TC 260.3

