



TC 300 Telescopic Cranes

Model Description

The TC-300 has proven itself to be a good alternative to conventional corner mount service cranes for many service body applications. One of its main advantages is that BIGMAX cranes lift by raising and lowering the boom requiring a single function operation. In contrast, winch equipped cranes require the activation of two functions, boom up-down and winch

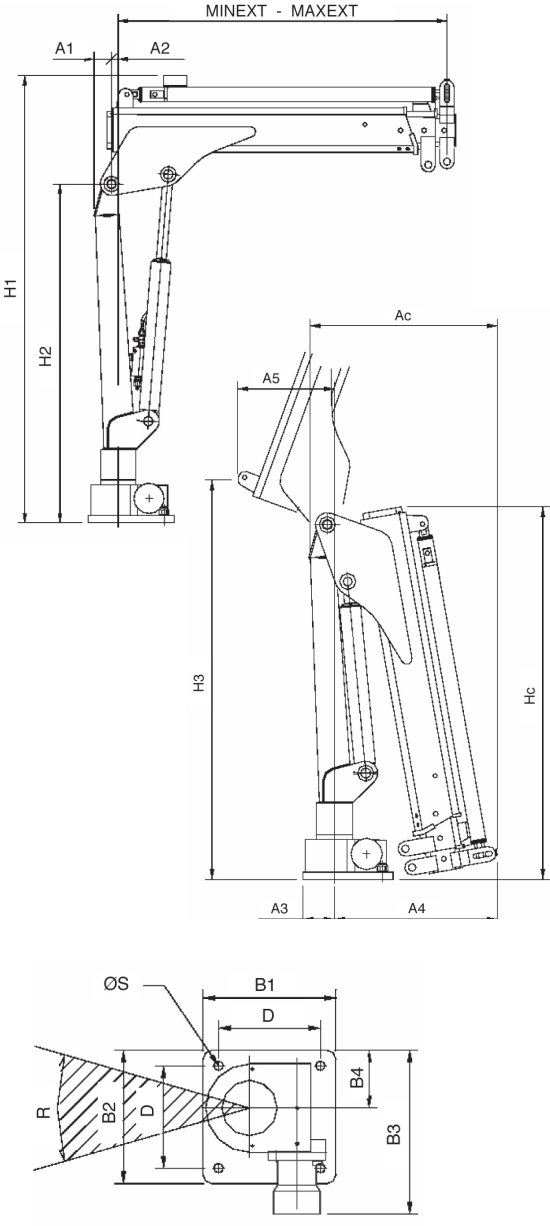
spooling, a more complicated operation to lift the load. For the few lifting operations, such as lifting a load close to the crane and lowering it into a manhole, an optional boom-mounted winch is available for all BIGMAX cranes.

Technical Data

		TC300
Max dynamic moment - daNm - ft lb		3290 24260
Std crane weight (crane + installation kit + oil tank or power pack. Weight does not include stabilizers.) - kg - lb	.1	263
	.2	579
	.3	298
	.4	656
Max capacity - kg - lb	.1	323
	.2	711
	.3	4025
	.4	-
Max oil flow to control valve - l/min - gal/min		10 2.6
Max working pressure - bar - psi		160 2320
Max slewing moment - daNm - ft lb		450 3320
Slewing angle - °		350°
Oil tank capacity - l - gal		17.5 4.6
Power needed by the pump - kW - HP		2.7 3.6
Design standards		DIN 15018/EN 12999

Dimensions

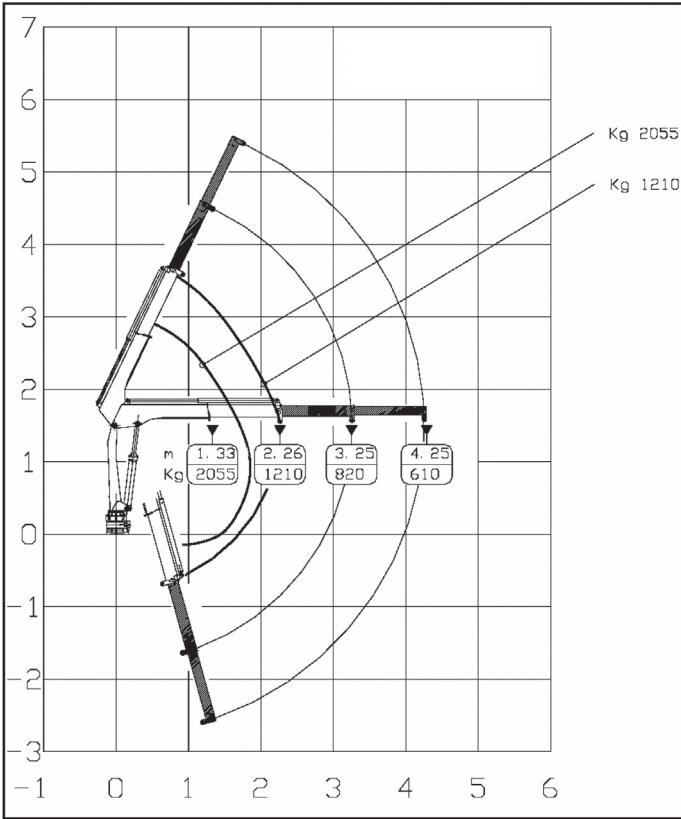
mm inches version	TC 300		
	.1	.2	.3
MINEXT	1330 4' 4"	1409 4' 7"	1479 4' 10"
MAXEXT	2260 7' 5"	3259 10' 8"	4254 13' 11"
A1	119 4.7"	119 4.7"	119 4.7"
A2	20 0.79"	20 0.79"	20 0.79"
A3	140 5.5"	140 5.5"	140 5.5"
A4	590 23.2"	615 24.2"	615 24.2"
A5	235 9.3"	235 9.3"	235 9.3"
Ac	705 27.8"	730 28.8"	730 28.8"
B1	332 13.1"	332 13.1"	332 13.1"
B2	300 11.8"	300 11.8"	300 11.8"
B3	450 17.7"	450 17.7"	450 17.7"
B4	150 5.9"	150 5.9"	150 5.9"
D	230 9.1"	230 9.1"	230 9.1"
H1	1907 75.1"	1907 75.1"	1907 75.1"
H2	1505 59.3"	1505 59.3"	1505 59.3"
H3	1715 67.5"	1715 67.5"	1715 67.5"
Hc	1585 62.4"	1585 62.4"	1585 62.4"
R	25°	25°	25°
ØS	23 0.91"	23 0.91"	23 0.91"



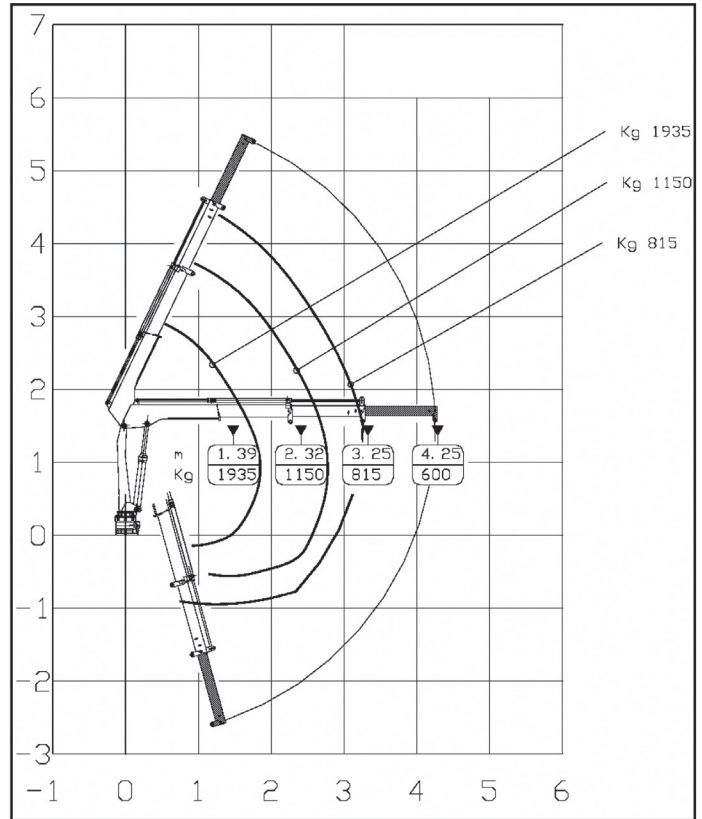
TC 300 Telescopic Cranes | p2

Load Diagrams

TC 300.1



TC 300.2



TC 300.3

