

TC 350 Telescopic Cranes

Model Description

The TC-350 BIGMAX crane, which offers the longest hydraulic boom reach in its class (ie. 19'5" with 4 hydraulic extensions), is often chosen for its long reach. Considering that most competitors offer only 3 hydraulic extensions with an outreach of 15.5 feet the choice becomes obvious, especially when the TC-350 has a lifting capacity of 1146 lbs. at the end of

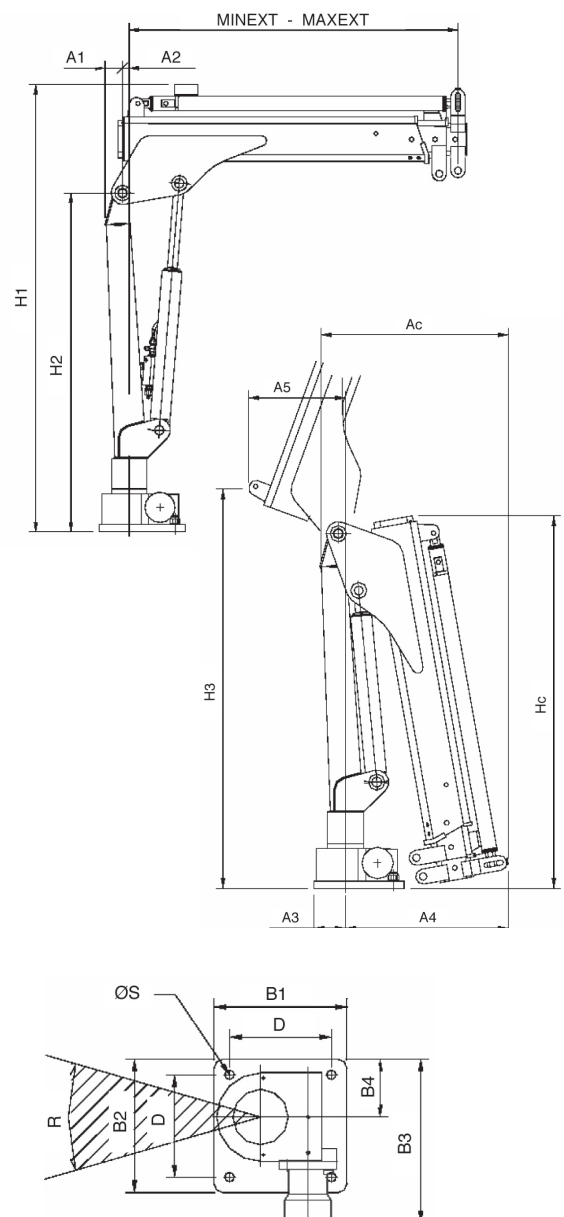
the boom. Standard features include a flange mounted counterbalance valve on the main lift cylinder and sequenced boom extensions. Options include a variety of hydraulic stabilizers, a crane base for mounting the crane to the truck chassis and winch.

Technical Data

		TC350
Max dynamic moment		4330
- daNm		31940
- ft lb		
Std crane weight (crane + installation kit + oil tank or power pack. Weight does not include stabilizers.)	.1	305
	.2	671
	.3	339
	.4	746
- kg	.1	371
	.2	816
	.3	399
	.4	878
- lb	.1	2390
	.2	5295
	.3	2255
	.4	4970
Max capacity	.1	2130
	.2	4695
	.3	2010
	.4	4430
Max oil flow to control valve	- l/min	10
	- gal/min	2.6
Max working pressure	- bar	175
	- psi	2540
Max slewing moment	- daNm	450
	- ft lb	3320
Slewing angle °		395°
Oil tank capacity	- l	17.5
	- gal	4.6
Power needed by the pump	- kW	2.9
	- HP	3.9
	Design standards	DIN 15018/ EN 12999

Dimensions

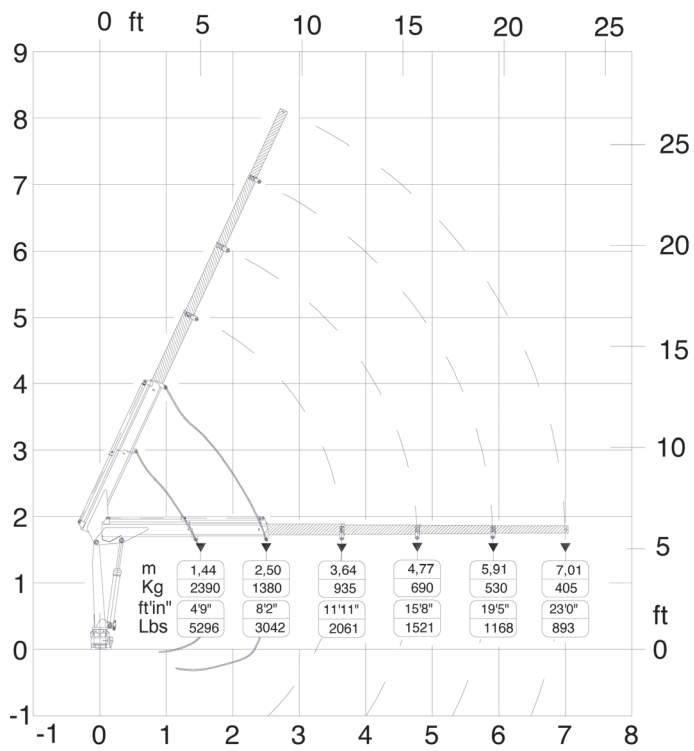
mm inches	TC 350				
	version	.1	.2	.3	.4
MINEXT		1443 4'9"	1518 5'	1593 5'3"	1668 5'6"
	MAXEXT	2503 8'2"	3638 11'11"	4773 15'8"	5908 19'5"
A1		83 3.3"	83 3.3"	83 3.3"	83 3.3"
A2		47 1.85"	47 1.85"	47 1.85"	47 1.85"
A3		140 5.5"	140 5.5"	140 5.5"	140 5.5"
A4		836 32.9"	900 35.4"	900 35.4"	900 35.4"
A5		285 11.3"	285 11.3"	285 11.3"	285 11.3"
Ac		966 38"	1030 40.6"	1030 40.6"	1030 40.6"
B1		331 13.1"	331 13.1"	331 13.1"	331 13.1"
B2		300 11.8"	300 11.8"	300 11.8"	300 11.8"
B3		440 17.4"	440 17.4"	440 17.4"	440 17.4"
B4		150 5.9"	150 5.9"	150 5.9"	150 5.9"
D		230 9.1"	230 9.1"	230 9.1"	230 9.1"
H1		2032 80"	2032 80"	2032 80"	2032 80"
H2		1612 63.5"	1612 63.5"	1612 63.5"	1612 63.5"
H3		1748 68.8"	1748 68.8"	1748 68.8"	1748 68.8"
Hc		1702 67"	1702 67"	1702 67"	1702 67"
R		35°	35°	35°	35°
ØS		23 0.91"	23 0.91"	23 0.91"	23 0.91"



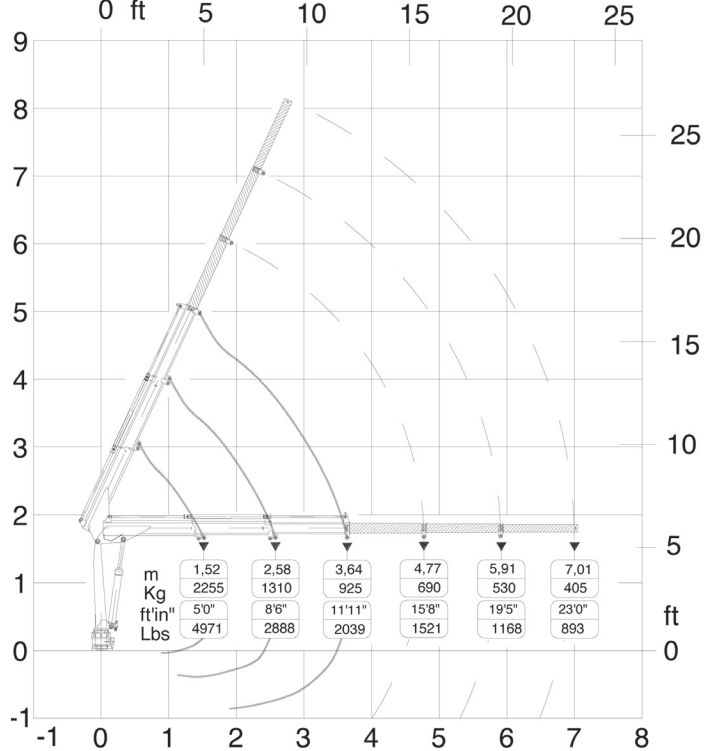
TC 350 Telescopic Cranes | p2

Load Diagrams

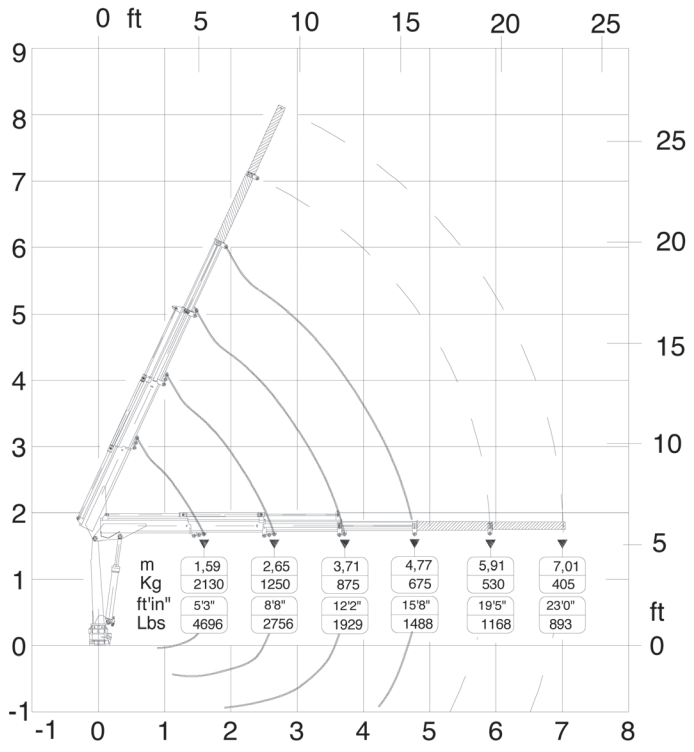
TC 350.1



TC 350.2



TC 350.3



TC 350.4

